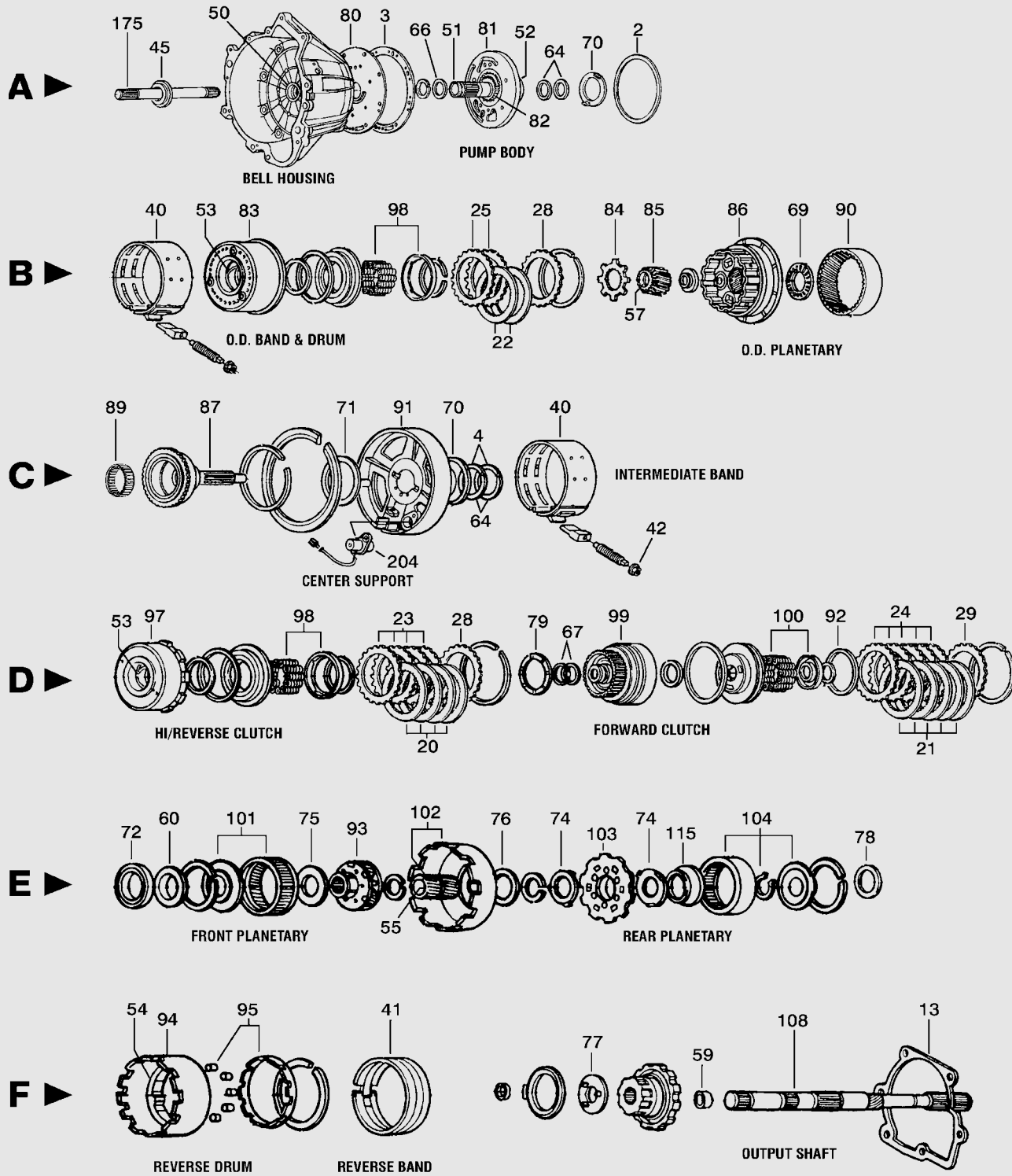
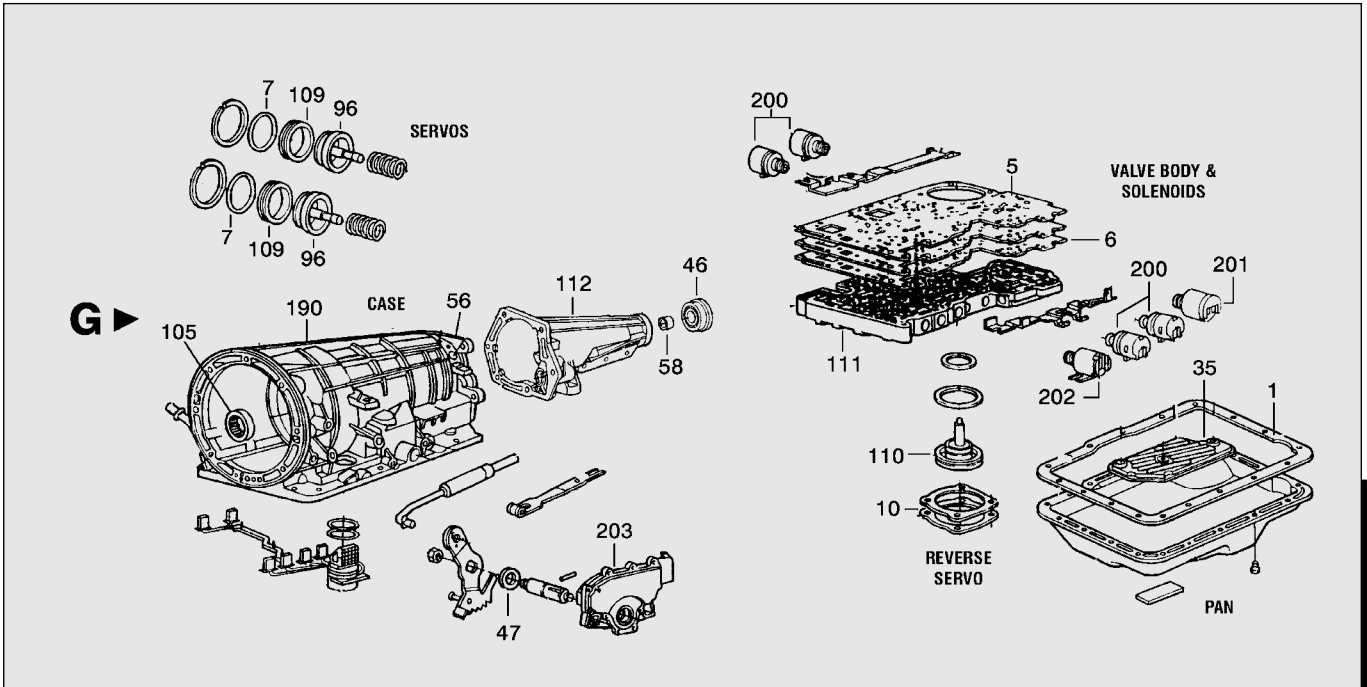


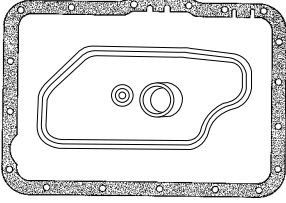
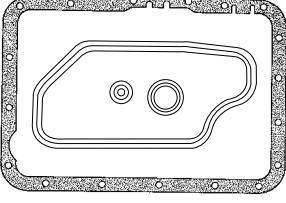
# 4R44E(2.3, 3.0L), 5R44E (2.3, 3.0L) 4R55E(4.0L), 5R55E(4.0L)



# 4R44E(2.3, 3.0L), 5R44E (2.3, 3.0L) 4R55E(4.0L), 5R55E(4.0L)



4R/5R/44E/55E

 <p><b>18 Bolt Pan - 4WD Dacron with 1-1/2" Neck 95-Up FK27800M</b></p>	<p><b>4R44E (95-Up)</b> 2.3L, 3.0L, 6 Solenoid <b>5R44E (01-Up)</b> Ranger 3.0L <b>4R55E (95-96)</b> 4.0L, 6 Solenoid <b>5R55E (97-Up)</b> Ranger w/4.0L <b>MAZDA</b> Navajo 4WD w/4.0L 4R/5R55E</p>	 <p><b>18 Bolt Pan - 2WD Dacron - No Neck 95-Up FK27800N</b></p>
---	--	--

## REBUILDER KITS

DESCRIPTION	QTY.	YEAR	DELUXE KIT	MASTER O/H KIT	LESS STEELS KIT	OVERHAUL KIT	GASKET & SEAL KIT
<b>To order Kits with all Borg Warner frictions, use a 'KB' prefix instead of the traditional 'K' prefix.</b>							
Rebuilder Kits - 4R44E/55E (2)	1	95-96		K2700H	K2700H-LS	K27900H	K27900H-1
Rebuilder Kits - 4R44E, 5R44E, 5R55E (2)	1	97-Up		K2700J	K2700J-LS	K27900J	K27900H-1

(2) 95-96 Kits contain a 27601B pump seal, K27901R ring kit, and non-helical frictions. 97-Up Kits contain a 27601E pump seal, K27901T ring kit, and helical groove frictions.

ILL.	DESCRIPTION	QTY.	YEAR	PART NO.	REFERENCE NO.
<b>VALVE BODY KITS</b>					
N.I.	<b>TRANSGO®</b> Junior Shift Kit® - 4R44E/55E, 5R55E .....	1	95-Up	K27908E	SK®44-55E
N.I.	<b>SUPERIOR</b> Shift Correction Package - Includes Steel Modulator Valve - 4R/5R55E .....	1	95-Up	27C03	K4R/5R55E

# 4R44E(2.3, 3.0L), 5R44E (2.3, 3.0L) 4R55E(4.0L), 5R55E(4.0L)

ILL.	DESCRIPTION	QTY.	YEAR	PART NO.	REFERENCE NO.
<b>MISCELLANEOUS GASKETS &amp; SEALS/PAN GASKETS</b>					
1G	Gasket - Oil Pan - All:				
	- Cork & Neoprene .....	1	95-Up	<b>13720X</b>	E5TZ-7A191A
	- Fibre .....	1	95-Up	<b>13720F</b>	E5TZ-7A191A
	- Korcork .....	1	95-Up	<b>13720S</b>	E5TZ-7A191A
2A	Seal - Front Pump - Lathe Cut - All .....	1	95-Up	<b>13701</b>	D5ZZ-7A248A
3A	Gasket - Front Pump to Case - All .....	1	95-Up	<b>13702</b>	F5TZ-7A136A
4C	Seal - Center Support - Lathe Cut: - Wide - Viton - .100 Wide .....	2	95-96	<b>13779A</b>	F3TZ-7D429A
5E	Gasket - Valve Body - Upper: - All .....	1	95-Up	<b>13777B</b>	F5TZ-7C155A
6E	Gasket - Valve Body - Lower: - All .....	1	95-Up	<b>13776B</b>	F5TZ-7D100B
7G	Overdrive/Intermediate Servo Cover - O-Ring - All .....	1	95-Up	<b>13706A</b>	E6TZ-7D040A
10G	Gasket - Rear Servo Cover - w/Metal Core - All .....	1	95-Up	<b>13708</b>	D4ZZ-7L173A
13F	Gasket - Extension Housing - All .....	1	95-Up	<b>13709</b>	D4ZZ-7086B
N.I.	Washer - Front Pump Bolt - Rubber Coated - All .....	8	95-Up	<b>13718</b>	E830124S
N.I.	O-Ring - Front Pump Bolt - All .....	8	95-Up	<b>13748</b>	E804595-S200
N.I.	O-Ring - Oil Filter:				
	- Large - .827 x .118 .....	1	95-Up	<b>13783A</b>	E6TZ-7A469A
	- Small - .590 x .118 .....	1	95-Up	<b>13782A</b>	E6TZ-7A469B
N.I.	O-Ring - Filler Tube - All .....	1	95-Up	<b>3291L</b>	87034-S94
N.I.	O-Ring - Pump Gear - All .....	1	95-Up	<b>13717</b>	N.L.
N.I.	Check Balls - Valve Body - Viton - All .....	5	95-Up	<b>13924</b>	E0AZ-7E195A
N.I.	Check Valve - Servo - Accumulator - (Hockey Puck) .....	1	95-Up	<b>13749</b>	E0TZ-7D376A
N.I.	Seal: Double Lip Rear Servo Piston - V Cut - Sm/Lg .....	1	95-Up	<b>K3435L</b>	N.L.
<b>CLUTCH PLATES</b>					
<b>Order Frictions with "B" prefix for Borg Warner brand, "R" prefix for Raybestos brand.</b>					
20D	Friction - High - Reverse:				
	- .068 - All .....	5/6	95-96	<b>27304A</b>	F0TZ-7B442B
	- w/Helical Groove - All .....	5/6	97-Up	<b>27304B</b>	F7ZZ-7B164BA
21D	Friction - Forward:				
	- .068 - All .....	5/6	95-96	<b>27404A</b>	F0TZ-7B164A
	- w/Helical Groove - All .....	5/6	97-Up	<b>27404B</b>	F7ZZ-7B164AA
22B	Friction - Overdrive - Direct:				
	- Wide Tooth - .068 - All .....	3	95-96	<b>27504A</b>	F0TZ-7B164C
	- w/Helical Groove - All .....	2/3	97-Up	<b>27504B</b>	F7ZZ-7B164CA
23B	Steel - High - Reverse:				
	- .082 - 5R55E (OHV) .....	4/6	95-Up	<b>27305</b>	D4ZZ-7B442B
	- .065 .....	5/6	95-Up	<b>27305B</b>	F0TZ-7B442B
24D	Steel - Forward:				
	- .065 .....	5/6	95-Up	<b>27505B</b>	F0TZ-7B442A
25B	Steel - Overdrive - Direct:				
	- .065 .....	2/3	95-Up	<b>27305B</b>	F0TZ-7B442B
<b>PRESSURE PLATES</b>					
28B/D	High/Overdrive - .200 - All .....	1	95-Up	<b>27307C-R</b>	F0TZ-7B066B
29D	Forward - .200 - All .....	1	95-Up	<b>27307B-R</b>	F0TZ-7B066A
<b>FILTERS/FILTER KITS</b>					
<b>Order Filter Kits with "FK" prefix for Cork-Neoprene, "FFK" prefix for Fibre.</b>					
N.I.	Filter Kit:				
	- w/4WD - Dacron - 3rd Design .....	1	95-Up	<b>FK27800M</b>	F5TZ-7A098B
	- w/2WD - Dacron - 3rd Design .....	1	95-Up	<b>FK27800N</b>	F5TZ-7A098A
35G	Filter - Dacron:				
	- w/2WD - 3rd Design .....	1	95-Up	<b>27800N</b>	XL2Z-7A098CA
	- w/4WD - Late 85 - 3rd Design .....	1	95-Up	<b>27800M</b>	XL2Z-7A098DA

# 4R44E(2.3, 3.0L), 5R44E (2.3, 3.0L) 4R55E(4.0L), 5R55E(4.0L)

ILL.	DESCRIPTION	QTY.	YEAR	PART NO.	REFERENCE NO.
<b>BRAKE BANDS</b>					
<b>Order NEW Brake Bands with "B" prefix for Borg Warner brand, "R" prefix for Raybestos brand.</b>					
40B/C	Intermediate & Overdrive - Flex:				
	- All .....	2	95-Up	<b>27320H</b>	D8ZZ-7D034A
	- All - Relined .....	2	95-Up	<b>27320H-RL</b>	D8ZZ-7D034A
41F	Reverse:				
	- All .....	1	95-Up	<b>27520A</b>	E3ZZ-7D095A
	- All - Relined .....	1	95-Up	<b>27520A-RL</b>	E3ZZ-7D095A
42B/C	Nut - Band Adjusting - Intermediate & Overdrive - All .....	2	95-Up	<b>26610</b>	380850S
<b>METAL CLAD SEALS</b>					
45A	Front Pump - Bell Housing:				
	- Deep Lip - All .....	1	95-Up	<b>27601B</b>	E5TZ-7A248A
	- w/o Flange - All .....	1	97-Up	<b>27601E</b>	F77Z-7A248AA
46G	Extension Housing:				
	- w/o Boot - All .....	1	95-Up	<b>27695</b>	D5ZZ-7052A
	- w/Boot - All .....	1	95-Up	<b>27695E</b>	D5ZZ-7052A
47G	Manual Control Lever Seal - All .....	1	95-Up	<b>6507A</b>	D5ZZ-7B498A
<b>BUSHINGS</b>					
N.I.	Bushing Kit - Complete:				
	- All .....	1	95-96	<b>K27905E</b>	N.L.
	- All .....	1	97-Up	<b>K27905F</b>	N.L.
50A	Bell Housing:				
	- Bronze - All .....	1	74-95	<b>27001A</b>	N.L.
	- Babbitt - All .....	1	74-95	<b>27001B</b>	N.L.
51A	Front Pump Stator Support - Notched Bronze - Front .....	1	95-Up	<b>27000B</b>	N.L.
52A	Front Pump Stator Support - Rear - All .....	1	95-Up	<b>27000A</b>	N.L.
53D	High Drum - Cast Iron - All <b>(6)</b> .....	1	95-96	<b>27002</b>	N.L.
53B	Overdrive Drum - Steel <b>(6)</b> .....	1	95-96	<b>27002A</b>	N.L.
54F	Reverse Drum - All <b>(6)</b> .....	1	95-96	<b>27004</b>	N.L.
	Reverse Drum - Bearing .....	1	97-Up	<b>27004B</b>	N.L.
55E	Sun Gear - All (Omitted 4.0L) .....	2	95-Up	<b>27003</b>	N.L.
56G	Case:				
	- All <b>(6)</b> .....	1	95-96	<b>27005</b>	N.L.
	- Bearing - w/Seal Ring - All .....	1	97-Up	<b>27005B</b>	F77Z-7R205AA
57B	Overdrive Sun Gear .....	1	95-Up	<b>27000</b>	N.L.
58G	Extension Housing - All .....	1	95-Up	<b>16001A</b>	D7FZ-7A034A
59F	Output Shaft Bearing .....	1	95-Up	<b>27976</b>	N.L.
60E	Front Planet Washer/Bushing - Top Hat - Bronze .....	1	95-Up	<b>27007A</b>	F0TZ-7D090A
(6) 97-Up 4R44E/55E models use caged bearings instead of bushings.					
<b>SEALING RINGS/RING KITS</b>					
<b>Order Sealing Rings with "T" suffix for Teflon.</b>					
N.I.	Ring Kit:				
	- Complete .....	1	95-96	<b>K27901R</b>	N.L.
	- w/Plastic, Bronze Metal <b>(8)</b> .....	1	97-Up	<b>K27901T</b>	N.L.
64A	Overdrive Drum - Teflon .....	2	95-96	<b>27229</b>	E5TZ-7D025A
64A/C	Hi Drum/Overdrive Drum - Vespel - All .....	4	97-Up	<b>27228A</b>	N.L.
66A	Front Pump Support:				
	- Plastic - Yellow .....	1	95-Up	<b>27230A</b>	F77Z-7L323AA
	- Solid Teflon - Gray .....	1	95-Up	<b>27230B</b>	3L2Z-7L323AA
67D	Forward Clutch Drum - All .....	2	75-96	<b>27227</b>	D4ZZ-7D019A
67D	Forward Clutch Drum .....	2	97-Up	<b>27227B</b>	F77Z-M154CA
(8) The 97-Up sealing rings are a special design and not interchangeable with past models.					

4R/5R/44E/55E

# 4R44E(2.3, 3.0L), 5R44E (2.3, 3.0L) 4R55E(4.0L), 5R55E(4.0L)

ILL.	DESCRIPTION	QTY.	YEAR	PART NO.	REFERENCE NO.
<b>THRUST WASHERS/NEEDLE BEARINGS</b>					
60E	Front Planet Thrust Washer/Bushing - For Steel Planet .....	1	95-Up	<b>27007A</b>	F0TZ-7D090A
70A	Front Pump - Selectives - Plastic - Small I.D. <b>(10)</b> :				
	- .047 - All .....	AR	95-96	<b>27209A</b>	F0TZ-7D014M
	- .063 - All .....	AR	95-96	<b>27209B</b>	F0TZ-7D014B
	- .079 - All .....	AR	95-96	<b>27209C</b>	F0TZ-7D014F
	- .094 - All .....	AR	95-96	<b>27209D</b>	F0TZ-7D014J
	- .110 - All .....	AR	95-96	<b>27209E</b>	F0TZ-7D014L
70A	Front Pump - Selectives - Metal - Small I.D. <b>(10)</b> :				
	- .055 - All .....	AR	95-96	<b>27209J</b>	F0TZ-7D014A
	- .063 - All .....	AR	95-96	<b>27209K</b>	F0TZ-7D014B
	- .067 - All .....	AR	95-96	<b>27209L</b>	F0TZ-7D014C
	- .071 - All .....	AR	95-96	<b>27209M</b>	F0TZ-7D014D
	- .074 - All .....	AR	95-96	<b>27209S</b>	F0TZ-7D014E
	- .079 - All .....	AR	95-96	<b>27209N</b>	F0TZ-7D014F
	- .082 - All .....	AR	95-96	<b>27209T</b>	F0TZ-7D014G
	- .087 - All .....	AR	95-96	<b>27209P</b>	F0TZ-7D014H
	- .094 - All .....	AR	95-96	<b>27209R</b>	F0TZ-7D014J
	- .102 - All .....	AR	95-96	<b>27209U</b>	F0TZ-7D014K
	- .110 - All .....	AR	95-96	<b>27209V</b>	F0TZ-7D014L
70A	Front Pump - Selectives - Plastic - Lg. I.D. (To Fit Over Bearing):				
	- .055 .....	AR	97-Up	<b>27209JA</b>	F7TZ-7D014VA
	- .063 .....	AR	97-Up	<b>27209KA</b>	F7TZ-7D014TA
	- .071 .....	AR	97-Up	<b>27209MA</b>	F7TZ-7D014MA
	- .074 .....	AR	97-Up	<b>27209SA</b>	F7TZ-7D014NA
	- .079 .....	AR	97-Up	<b>27209NA</b>	F7TZ-7D014PA
	- .083 .....	AR	97-Up	<b>27209TA</b>	F7TZ-7D014RA
	- .087 .....	AR	97-Up	<b>27209PA</b>	F7TZ-7D014SA
	- .095 .....	AR	97-Up	<b>27209RA</b>	N.L.
74E	Reverse Planet Washer:				
	- Front - w/Steel Planet .....	1	95-96	<b>27213A</b>	F0TZ-7A166A
	- Rear - w/Steel Planet .....	1	95-96	<b>27213B</b>	F0TZ-7A166B
76E	Input Shell - Thrust - 27 Teeth - All .....	1	95-96	<b>27215</b>	D4ZZ-7D066A
77F	Output Shaft Park Gear/Case:				
	- Large O.D. - All .....	1	95-96	<b>27216</b>	D4ZZ-7B368A
	- Small O.D. - All .....	1	97-Up	<b>27216A</b>	F7TZ-7B368AA
78E	Output Shaft Hub/Case:				
	- All exc. 4.0L Engine .....	1	95-96	<b>27218</b>	D4ZZ-7D422A
	- Large I.D. - 4.0L Engine .....	1	95-96	<b>27218A</b>	F0TZ-7D422A
79C	Intermediate Brake Drum - Cast Iron Drum .....	1	95-96	<b>27210</b>	D4ZZ-7C096A
N.I.	Reverse Drum/Case Thrust (under Sprag Race) - 4.0L .....	1	95-96	<b>27224</b>	N.L.
N.I.	Washer Kits (Use w/SPS112A, See Index):				
	- Front/Rear Planet Assembly .....	1	-	<b>QWK2020</b>	N.L.
	- Large Pinion Overdrive Planet Assembly .....	1	-	<b>QWK2031</b>	N.L.
	- Small Pinion Overdrive Planet Assembly .....	1	-	<b>QWK2032</b>	N.L.
<b>BEARINGS</b>					
69B	Overdrive Inner Race - All .....	1	95-Up	<b>27222</b>	E5TZ-7L495A
70C	Center Support - Rear - Small I.D. - (Intermediate Drum):				
	- .114 .....	1	95-96	<b>27217C</b>	F5TZ-7L326A
	- .123 .....	1	95-96	<b>27217D</b>	F5TZ-7L326B
	- .131 .....	1	95-96	<b>27217E</b>	F5TZ-7L326C
<p><b>(10)</b> Plastic/Metal washers can be used on pumps, 95-96. The center support uses a selective bearing, 95-96.  The 97-Up pump and center support have a caged bearing which requires a larger I.D. washer and bearing selection.  Refer to the 97-Up listings.</p>					

# 4R44E(2.3, 3.0L), 5R44E (2.3, 3.0L) 4R55E(4.0L), 5R55E(4.0L)

ILL.	DESCRIPTION	QTY.	YEAR	PART NO.	REFERENCE NO.
<b>THRUST WASHERS/NEEDLE BEARINGS (Cont.)</b>					
<b>BEARINGS (cont.)</b>					
70C	Center Support - Rear - Large I.D. (To Fit Over Bearing):				
	- .110 .....	AR	97-Up	27217G	XW4Z-7D014CA
	- .116 .....	AR	97-Up	27217H	XW4Z-7D014DA
	- .124 .....	AR	97-Up	27217K	XW4Z-7D014EA
	- .131 .....	AR	97-Up	27217L	XW4Z-7D014FA
71C	Center Support - Front:				
	- .107 Thick .....	1	95-96	27217B	F3TZ-7L326A
	- .107 Thick .....	1	97-Up	27210F	F77Z-7M153EB
72E	Forward Drum/Planet - 2nd Design - w/Steel Planet .....	1	95-Up	K27211B	F3TZ-7D234A
74E	Reverse Planet:				
	- Front - All .....	1	97-Up	27213F	F7ZZ-7M151BA
	- Rear - All .....	1	97-Up	27210F	F77Z-7M153EB
75E	Forward Planet (Ring Gear Hub w/o I.D. Lip) - All .....	1	95-Up	27407	F2TZ-7F374AA
78E	Output Shaft:				
	- Hub/Case (Race/Ring) - All .....	1	97-Up	27218F	F7ZZ-7M150DA
	- Hub/Case (Bearing) - All .....	1	97-Up	27218G	F7ZZ-7M150CA
79D	Intermediate / Forward Drum - All .....	1	97-Up	27210F	F77Z-7M153EB

## HARD PARTS

**Hard Parts may only require the base number for OEM/Aftermarket New. A "N" suffix may also be required or a "-R" suffix for remanufactured. Exceptions are listed individually.**

**NOTE: A separate column is provided to indicate a primary or specific brand/type.**

ILL.	DESCRIPTION	BRAND	QTY.	YEAR	PART NO.	REF NO.
80A	Front Pump Wear Plate: .....		1	95-Up	27202E	F5TZ-7B472A
81A	Front Pump Assembly:- 4R44E/55E .....		1	95-96	27200F	YL2Z-7A103AA
81A	Front Pump Assembly:- w/Bearing - 4R44E, 5R55E .....		1	97-Up	27200J	XL2Z-7A103AB
82A	Front Pump Gear Set - w/ Drive Gear O-Ring - 24T - All .....		1	95-Up	K27201	N.L.
82A	Front Pump Gear Set - w/ Drive Gear O-Ring - 16T - All .....		1	95-Up	K27201B	N.L.
83B	Overdrive Direct Drum:- 4R44E/55E .....		1	95-96	27965B	F5TZ-7L669A
83B	Overdrive Direct Drum:- w/I.D. Sleeve - 4R44E, 5R55E .....		1	97-Up	27965C	F77Z-7L669AD
84B	Overdrive Sun Gear Drive Plate .....		1	95-Up	27964	E5TZ-7660A
85B	Overdrive Sun Gear .....		1	95-Up	27966	F7RZ-7D063AA
86B	Overdrive Planet Assembly w/Oil Dam - 4R44E/55E .....		1	95-Up	27413H	2L5Z-7B446AA
87C	Overdrive Outer Race Shaft: - w/o Retainer - w/Ring Gear - Bearing Type .....		1	95-96	27970B	F2TZ-7A658B
87C	Outer Race Shaft: - Wide O.D. Sprag - 4R44E, 5R55E .....		1	97-Up	27970D	F77Z-7A658AB
89C	Overdrive Sprag Clutch: - Plastic - Narrow - Use w/T-5015 .....		1	95-96	27960B	N.L.
89C	Overdrive Sprag Clutch: - Plastic - w/Guide - Wide - 4R44E, 5R55E .....		1	97-Up	27960D	F77Z-7A089AB
90B	Overdrive Planet Ring Gear .....		1	95-Up	27967B	F3TZ-7A153A
91C	Center Support:- w/Sensor - 4R44E, 5R55E (11) .....		1	95-96	27902F	F5TZ-7A130B
91C	Center Support:- w/Bearing - 4R44E, 5R55E .....		1	97-Up	27902H	F77Z-7A130CB
92D	Forward Piston Rubber Cushion .....		1	95-Up	27575A	F0TZ-7B070A
93E	Front Planet Assembly - 6 Pinion Update Package .....		1	95-Up	K27412A	F0TZ-7A398E
93E	Front Planet - 6 Pinion .....		1	95-Up	27412B	F87Z-7A398AA
94E	Reverse Drum:					
	- w/Sprag:- 4.0L - 26 Elements .....		1	95-96	K27945	F0TZ-7C498A
	- w/Sprag:- All Exc. 4.0L - 16 Elements .....		1	97-Up	K27945B	F87Z-7C498CA
	- w/Sprag:- 4.0L - 26 Elements .....		1	97-Up	K27945D	F87Z-7C498AA
	- Roller Clutch Type - Wide Lug - (Drum Only) .....	R	1	95-96	27945R	D4ZZ-7C498A
	- Sprag Type - 4.0L - (Drum Only) .....	R	1	95-96	27945S	F0TZ-7C498A

(11) 27902F center support requires bearings front & rear and must be purchased separately. Check bearing section for size.

4R/5R/44E/55E

# 4R44E(2.3, 3.0L), 5R44E (2.3, 3.0L) 4R55E(4.0L), 5R55E(4.0L)

ILL.	DESCRIPTION	BRAND	QTY.	YEAR	PART NO.	REF NO.
<b>HARD PARTS (Cont.)</b>						
95F	Sprag - Low:					
	- 26 Elements - 4.0L .....		1	95-96	<b>27940</b>	N.L.
	- All Exc. 4.0L - 16 Elements .....		1	97-Up	<b>27940B</b>	N.L.
	- 4.0L - 26 Elements .....		1	97-Up	<b>27940D</b>	N.L.
95F	Roller - Spring & Retainer Kit (w/10 springs) - All .....		1	95-96	<b>K27960</b>	D4ZZ-7D191A
96G	Intermediate/Overdrive Servo Piston Assembly:					
	- 2.300 - Cover I.D. # ZC .....		1	97-Up	<b>27528J</b>	F77Z-7D021ZA
	- 2.100 - Cover I.D. # AA/AB - All .....		1	95-Up	<b>27528</b>	F77Z-7D021A2A
	- 1.945 - Cover I.D. # BB - All .....		1	95-Up	<b>27528B</b>	F2ZZ-7D021A
	- 1.845 - Cover I.D. # CA/CB - All .....		1	95-Up	<b>27528D</b>	E3ZZ-7D021A
	- 1.720 - Cover I.D. # EB - All .....		1	95-Up	<b>27528E</b>	F0ZZ-7D021A
	- 1.650 - Cover I.D. # FB - All .....		1	95-Up	<b>27528F</b>	F0TZ-7D021B
	- 1.775 - Cover I.D. # DB - All .....		1	95-Up	<b>27528G</b>	F77Z-7D021DA
97D	Drum - Intermediate Brake:					
	- w/4 or 5 Friction - Cast w/Piston (12) .....	R	1	95-96	<b>27300H</b>	F0TZ-7D044B
	- 6 Frictions .....		1	95-96	<b>27300J</b>	F0TZ-7D044C
	- w/I.D. Sleeve - Small Piston (SOHC) .....		1	97-Up	<b>27300K</b>	XL2Z-7D044CA
	- w/I.D. Sleeve - Large Piston (DOHC) .....		1	97-Up	<b>27300L</b>	XL2Z-7D044AA
98B/D	Retainer - Overdrive/High Piston .....		1	95-Up	<b>27920</b>	E5TZ-7A527BA
98B/D	Spring - Overdrive/High Piston .....		20	95-Up	<b>27920S</b>	F1TZ-7A480B
99D	Forward Drum:					
	- w/5 Friction - Thick - w/6 Friction - Thin (12) .....	R	1	95-96	<b>27400D</b>	E5TZ-7A360A
	- w/4 Friction - Thick - w/5 Friction - Thin (12) .....	R	1	95-96	<b>27400E</b>	E5TZ-7A360B
	- w/Bearing .....		1	97-Up	<b>27400H</b>	F77Z-7A360EE
100D	Retainer - Forward Piston .....		1	95-Up	<b>27921</b>	D4ZZ-7A527A
100D	Spring - Forward Piston .....		15	95-Up	<b>27921S</b>	F1TZ-7A480A
101E	Hub - Front Ring Gear - w/o I.D. Lip .....		1	95-Up	<b>27408A</b>	F87Z-7B067AC
101E	Front Ring Gear: Ring Gear Only .....	R	1	95-Up	<b>27409</b>	D4ZZ-7D392A.
101E	Front Ring Gear: w/Hub - Large I.D. - w/o I.D. Lip (Reman Only) .....	R	1	95-Up	<b>27409A</b>	N.L.
102E	Sun Shell:					
	- w/o Sun Gear - w/o Snap Type - All .....		1	95-96	<b>27510A</b>	F0TZ-7D064A
	- w/ Sun Gear - w/o Snap Type - All .....	R	1	95-96	<b>27510A</b>	F0TZ-7D064A
	- w/o Sun Gear - w/Bearing Recess (w/o Sensor Holes) .....		1	97-Up	<b>27510E</b>	F77Z-7D064BB
	- w/ Sun Gear - w/Bearing Recess (w/o Sensor Holes) .....	R	1	97-Up	<b>27510E</b>	F77Z-7B064BB
	- w/o Sun Gear (w/ Sensor Holes) .....		1	01-Up	<b>27510H</b>	IL5Z-7D064AA
102E	Sun Gear - Forward w/Bushing - All (Omit Bushings on 4.0L) .....		1	95-Up	<b>27511</b>	D4ZZ-7D063A
103E	Rear Planet - Steel - 6 Gears:					
	- Narrow Tooth - 4.0L .....		1	95-96	<b>27950B</b>	F0TZ-7D006A
	- Wide Tooth - exc. 4.0L .....		1	95-96	<b>27950A</b>	E7SZ-7D006C
	- Wide Tooth - w/Bearing Recess .....		1	97-Up	<b>27950E</b>	XL2Z-7D006AA
104E	Output Ring Gear w/Hub:					
	- For Steel Planet - w/o Recess .....	R	1	95-96	<b>27437A</b>	N.L.
	- For Steel Planet - w/Oil Notches - 4.0L .....	R	1	95-96	<b>27437B</b>	N.L.
	- For Steel Planet - w/Bearing Recess .....	R	1	97-Up	<b>27437D</b>	N.L.
105G	Inner Race: Roller Type - Small O.D. .....		1	95-96	<b>27600R</b>	N.L.
105G	Inner Race: Sprag Type - Large O.D. .....		1	95-Up	<b>27600S</b>	N.L.
109G	Front Servo Cover - All: 1.945 .....		1	95-Up	<b>27529A</b>	E6TZ-7D027C
	Front Servo Cover - All: - 2.11 .....		1	95-Up	<b>27529</b>	E6TZ-7D027B
	Front Servo Cover - All: -2.3 .....		1	95-Up	<b>27529J</b>	F77Z-7A027ZC
110G	Rear Servo Piston - w/Rod - All: - 2 Grooves .....	R	1	95-Up	<b>27528L</b>	D7ZZ-7D189A
	Rear Servo Piston - w/Rod - All: No Grooves .....	R	1	95-Up	<b>27528M</b>	D7ZZ-7D189B
	Rear Servo Piston - w/Rod - All: - 1 Groove .....	R	1	95-Up	<b>27528N</b>	D7ZZ-7D189C
111G	Valve Body: - 6 Solenoids .....	R	1	95-96	<b>27990E</b>	N.L.
111G	Valve Body: - 6 Solenoids - 5R55E .....	R	1	97-Up	<b>27990G</b>	N.L.

(12) Drum will accommodate maximum frictions listed.

# 4R44E(2.3, 3.0L), 5R44E (2.3, 3.0L) 4R55E(4.0L), 5R55E(4.0L)

ILL.	DESCRIPTION	BRAND	QTY.	YEAR	PART NO.	REF NO.
<b>HARD PARTS (Cont.)</b>						
115E	Oil Dam Output Hub - 4.0L Plastic .....		1	95-Up	<b>27910</b>	F0TZ-3B176A
175A	Shaft - Input .....		1	95-Up	<b>27933</b>	N.L.
190G	Case - 4R44E/4R55E .....		1	95-96	<b>C4R44</b>	N.L.
	Case - 4R44E/5R55E .....		1	97-Up	<b>C5R55</b>	N.L.
N.I.	Sleeve - Case Repair - Reverse Servo - Inner Seal .....		1	95-Up	<b>27877S</b>	N.L.
N.I.	Clutch Drum Repair Plate (For Steel OD Drums) .....		1	95-Up	<b>27968P</b>	N.L.
N.I.	Extendo Pin - Intermediate/Overdrive Servo .....		1	95-Up	<b>27875</b>	N.L.
N.I.	Valve - EPC Blow Off ( Must use updated or modified separator plate) .....		1	95-Up	<b>K27455</b>	3L5Z-7M203JA
N.I.	Valve - Boost - w/Sleeve .....		1	95-Up	<b>K27971E</b>	N.L.
N.I.	Bracket - EPC Solenoid ( Modified) .....		1	95-Up	<b>27451</b>	XL2Z-7L491AA
<b>ELECTRICAL PRODUCTS</b>						
200G	Solenoid Assembly: - Shift/Coast - w/Ind. Signal .....		4	95-Up	<b>5A-450</b>	F77Z-7G484AB
201G	- EPC - w/o Inductive Signature (Use Reinforced Bracket - 27451) .....		1	95-96	<b>5A-451</b>	F5TZ-7H144A
	- EPC - w/Inductive Signature (Use Reinforced Bracket - 27451) .....		1	97-Up	<b>5A-451B</b>	XL2Z-7G383AA
	- TCC - w/o Inductive Signature .....		1	95-96	<b>5A-452</b>	F5TZ-7F037AA
	- TCC - w/Inductive Signature .....		1	97-Up	<b>5A-452B</b>	F77Z-7G136AA
203G	MLPS Package - 8 Pin - Bolt On .....		1	95-96	<b>15A-267</b>	F5AZ-7A247A
203G	DTR - 12 Pin - Bolt On - (11/12 pin) .....		1	97-Up	<b>15A-269A</b>	F7LZ-7F293AB
	Sensor:					
204C	- Input - (Bolted To Center Support) .....		1	95-96	<b>20A-255</b>	F5TZ-7M101A
N.I.	- Output - Case Rear - 5R55E .....		1	97-Up	<b>20A-256</b>	F7RZ-7H103BA
N.I.	- Input - Case .....		1	97-Up	<b>20A-257</b>	XW4Z-7M183AA
N.I.	- Rear Differential - All - Large Body .....		1	95-Up	<b>20A-300</b>	F85Z-2L373AC
N.I.	- Rear Differential - Explorer/Aviator - Small Body .....		1	03-Up	<b>20A-300B</b>	3L2Z-9E731AC
205G	Connector - Case .....		1	95-Up	<b>25A-210</b>	F5TZ-7Z409B
N.I.	External Harness: - Repair Pack - Speed Sensor .....		1	95-Up	<b>35A-255</b>	F2PZ-14A464A
N.I.	Harness Repair - MLPS - 8 Pin .....		1	95-96	<b>35A-267</b>	3U2Z-14S411FV
N.I.	Harness Repair - DTR - 12 Pin .....		1	97-Up	<b>35A-269</b>	F75Z-14A411AA
<b>MISCELLANEOUS PRODUCTS</b>						
N.I.	Pilot Sleeve for Crankshaft - 6-Bolt - 4.0L Engines .....		1	95-Up	<b>27500P</b>	D4ZZ-6434A
N.I.	Pilot Sleeve for Crankshaft - 8-Bolt - 4.0L Engines .....		1	95-Up	<b>27500R</b>	F77Z-6434AA
N.I.	Grommet - Shift Lever - All .....		1	95-Up	<b>96-126</b>	D5AZ-7341A
N.I.	Fitting - Cooler Line .....		1	-	<b>96-208B</b>	N.L.
N.I.	Bell Housing To Pump And Pump To Gear Alignment Tool Kit .....		1	-	<b>T-0168K</b>	N.L.
N.I.	Case Sprag Race Installer And Remover .....		1	-	<b>T-0465</b>	N.L.
N.I.	Front Pump Seal Staking Tool .....		1	-	<b>T-2601</b>	N.L.
N.I.	Overdrive Sprag Installer .....		1	-	<b>T-5015</b>	N.L.
N.I.	Shift Shaft Locking Tool .....		1	-	<b>T-9183</b>	N.L.
N.I.	Reamer - Manual Lever Bore .....		1	-	<b>T-9117</b>	N.L.
N.I.	Sleeve - Manual Lever Bore .....		1	-	<b>T-9117-SL</b>	N.L.
N.I.	Technical Manuals:					
	- 4R44E, 4R55E .....		1	-	<b>27Y03</b>	N.L.
	- 5R55E .....		1	-	<b>27Y05</b>	N.L.

4R/5R/44E/55E